

komfovent



DOMEKT



Residential
ventilation units
with heat recovery

DOMEKT features

ENERGY SAVING

- Modern energy efficient EC fans.
- High efficiency rotary and counterflow plate heat exchangers.
- Low resistance and high filtration class air filters.
- Over 20 functions optimise unit's operation and reduce running costs.

SMART CONTROL

- "Komfovent Control" app.
- Ability to control via a web browser.
- Integration into a smart home management system.
- Demand control ventilation according to the air quality parameters by connecting additional sensors.

HUMIDITY CONTROL

- Optional heat exchangers – sorption-enthalpy rotary or diffusion-enthalpic counterflow plate – efficiently recover humidity.
- Air quality function ventilates premises according to the user desired humidity settings.

RELIABLE AND DURABLE CASING

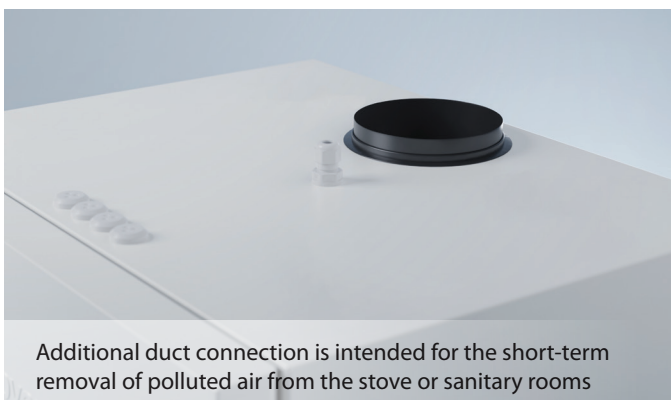
- Powder coated (RAL 9003) galvanized steel panels insulated with mineral wool.
- Hydrophobic and lightweight EPP (expanded polypropylene) casing without thermal bridges and condensation is designed for several units.

LOW NOISE LEVEL

- Perfectly balanced fans.
- All of the unit's components are aerodynamically matched.
- Sound absorbing insulation and special composite materials.

LONG-LIFE SOLUTIONS

- Variable rotary heat exchanger speed control.
- Fan motors are protected from humidity and dust, and equipped with long-life bearings.
- Up to 10 safety functions, which ensure reliable operation of unit components.



Range review

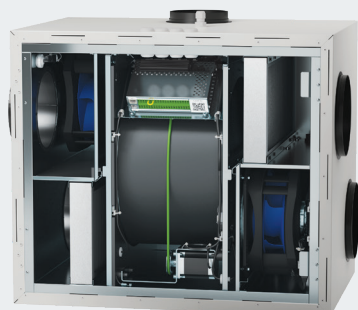
DOMEKT – residential ventilation units with heat recovery. Depending on the individual requirement, a rotary or counterflow plate heat exchanger, vertical, horizontal or flat units can be selected from a wide range of modifications.

TYPES OF THE UNITS

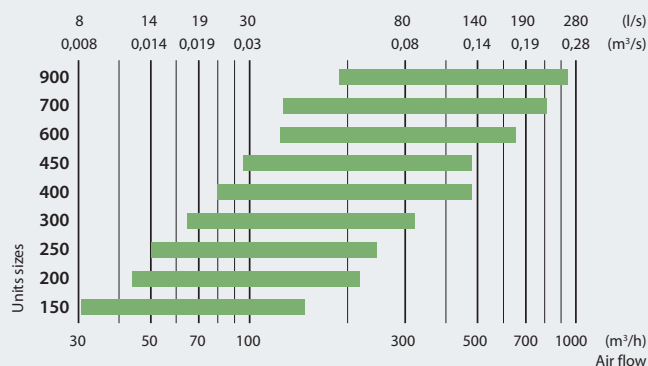


TYPES OF THE HEAT EXCHANGERS

Domekt R
with rotary heat exchanger



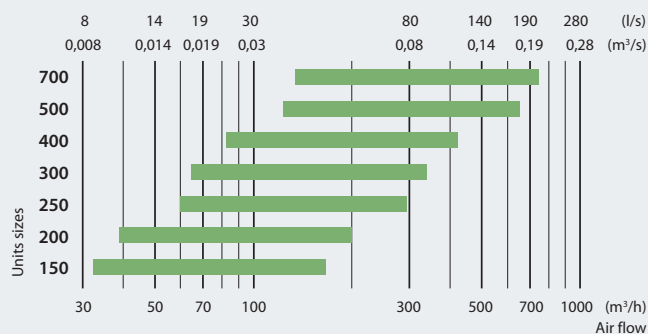
Sizes and capacities of Domekt R units



Domekt CF
with counter flow heat exchanger



Sizes and capacities of Domekt CF units



Specifications

Unit size		150			200			250		300		
AHU type		Domekt R	Domekt CF	Domekt R VSO	Domekt R	Domekt CF	Domekt CF	Domekt R	Domekt CF	Domekt R	Domekt R	Domekt CF
Control system		C8	C6M	C8	C8	C6M	C8	C8	C6	C8	C8	C6M
Heat exchanger type												
Humidity recovery Standard / Enthalpy		♾️/♾️♾️	♾️/♾️	♾️	♾️	♾️/♾️	♾️/♾️	♾️/♾️♾️	♾️/♾️	♾️/♾️♾️	♾️/♾️♾️	♾️/♾️
Duct connection												
SEC		A	A+	A	A	A+	A+	A	A	A+	A	A+
Reference flow rate	m ³ /s	0,029	0,031	0,041	0,045	0,039	0,035	0,049	0,057	0,060	0,056	0,059
	m ³ /h	105	111	149	163	139	127	175	204	217	202	213
Maximal air flow at 100 Pa	m ³ /h	150	153	213	233	199	181	250	292	310	288	304
Dimensions	B, mm	460	560	1370	325	630	560	602	604	515	630	630
	H, mm	280	294	2160	625	790	294	310	294	615	280	790
	L, mm	780	1100	750	600	595	1100	842	1250	605	1090	595
Unit weight	kg	29	29	153	42	42	28	42	52	29	56	42
Duct diameters	mm	∅ 125 (1x) ∅ 160 (4x)	∅ 160 (4x)	∅ 100 (1x) ∅ 125 (2x)	∅ 125 (6x)	∅ 160 (4x)	∅ 160 (4x)	∅ 125 (1x) ∅ 160 (4x)	∅ 160 (4x)	∅ 100 (1x) ∅ 160 (4x)	∅ 125 (1x) ∅ 160 (4x)	∅ 160 (4x)
Thermal efficiency of heat recovery	%	82	92	81	80	92	88	80	86	86	83	88
Electric power input of the fan drive at reference flow rate	W	17	12	26	24	16	13	34	33	33	32	35
Electric power input of the fan drive at maximum flow rate	W	41	31	61	64	37	41	78	91	83	80	91
Electric preheater / air heater capacity	kW	-/0,5	-/0,5	-/0,8	-/0,8	1/0,5	-/0,5	-/1	1/0,5	-/0,5	-/1	1/0,5

LEGEND:

Heat exchanger type:

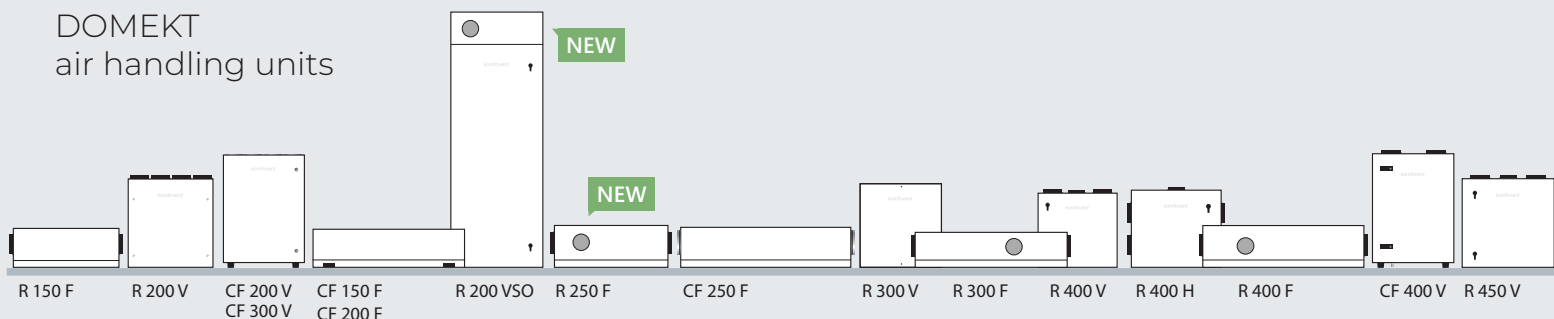
Rotary
 ♾️♾️ L/AZ – Sorption-enthalpy
 ♾️ L/A – Condensing

Counterflow
 ♾️ ER – Diffusion-enthalpy
 ♾️ Condensing

Types of the units:

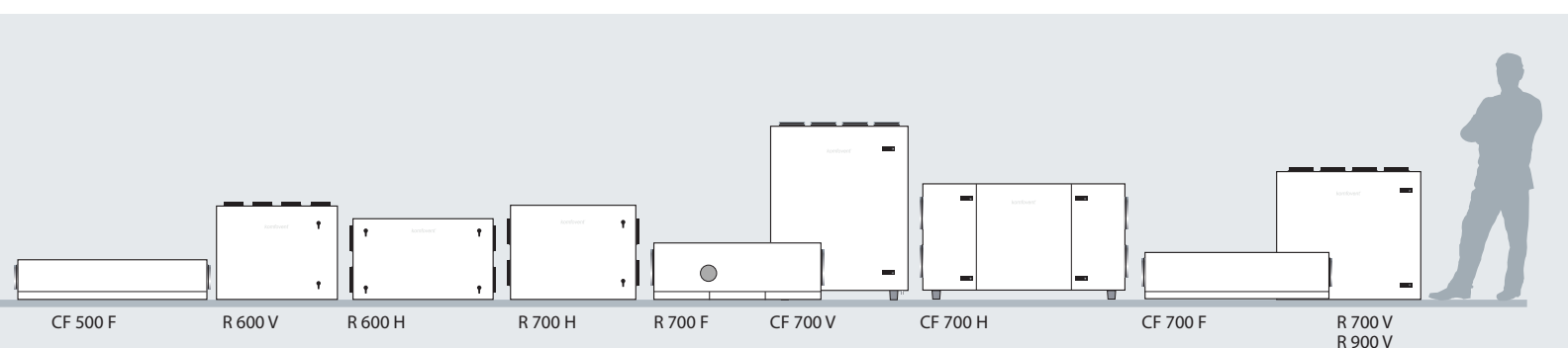
horizontal
 vertical
 flat

DOMEKT air handling units



400				450	500	600			700					900
Domekt R	Domekt R	Domekt R	Domekt CF	Domekt R	Domekt CF	Domekt R	Domekt R	Domekt R	Domekt R	Domekt R	Domekt CF	Domekt CF	Domekt CF	Domekt R
C6M	C6M	C6M	C6M	C6M	C6M	C6M	C6M	C6M	C6M	C6M	C6M	C6M	C6M	C6M
Ø/ØØØ	Ø/ØØØ	Ø/ØØØ	Ø/ØØ	Ø/ØØØ	Ø/ØØ	Ø/ØØØ	Ø/ØØØ	Ø/ØØØ	Ø/ØØØ	Ø/ØØØ	Ø/ØØ	Ø/ØØ	Ø	Ø/ØØØ
A+	A+	A+	A+	A+	A+	A+	A+	A+	A+	A+	A+	A+	A+	A
0,073	0,097	0,082	0,082	0,096	0,13	0,13	0,126	0,14	0,144	0,149	0,13	0,121	0,14	0,194
261	350	295	295	347	455	468	455	517	519	535	455	435	494	697
373	500	421	422	496	650	669	650	738	742	764	650	621	706	995
495	515	700	585	585	1045	610	570	637	634	850	491	487	875	637
561	567	310	750	655	292	750	600	950	700	420	1220	700	344	950
598	660	1170	598	680	1400	905	1060	1070	930	1240	1020	1500	1365	1070
49	49	65	55	60	93	82	80	110	83	93	100	95	84	110
Ø 125 (1x) Ø 160 (4x)	Ø 125 (1x) Ø 160 (4x)	Ø 125 (1x) Ø 200 (4x)	Ø 160 (4x)	Ø 125 (1x) Ø 160 (4x)	Ø 200 (4x)	Ø 125 (1x) Ø 200 (4x)	Ø 125 (1x) Ø 200 (4x)	Ø 125 (1x) Ø 250 (4x)	Ø 125 (1x) Ø 250 (4x)	Ø 125 (1x) Ø 250 (4x)	Ø 200 (4x)	Ø 250 (4x)	Ø 250 (4x)	Ø 125 (1x) Ø 250 (4x)
86	84	83	89	86	89	84	83	84	84	83	89	89	88	81
43	52	39	48	55	56	59	62	76	73	74	73	71	67	125
118	125	84	123	147	167	167	158	178	179	181	178	180	176	261
-/1	-/1	-/1	1/0,5	-/1	1/0,5	-/1,5	-/1	-/2	-/2	-/2	1/1	1,5/0,5	1/1	-/2

- Standard filter class (supply/exhaust) – ePM1 55 % / ePM10 50 % (F7/M5)
- Heater type: electric
- Supply voltage: 1~230 V



Your home indoor climate
in your hand with
KOMFOVENT CONTROL app



Smart control systems C6M, C8 for DOMEKT units

For both: beginners and advanced users

A user-friendly interface enables intuitive navigation and control of the unit. The core philosophy behind the design of C6M, C8 – the ventilation unit would operate properly without constant adjustments from the user. Different ventilation modes are optimized for the user's daily needs. Automatic air quality control selects the most appropriate mode and ensures the comfort conditions in the room. Advanced users can control a unit's operation according to his needs, as many settings and control possibilities are provided as well:

- Air flow control: CAV / VAV / DCV*.
- Intensity control by air quality, CO₂, humidity level.

Operating modes

- 8 preset modes.
- Intelligent energy saving algorithms.
- Automatic air quality control with optional AQ sensor.
- Extensive weekly schedule.

Energy counters*

- Real-time energy consumption indicator.
- Possibility of observing the running costs of the ventilation unit.
- Heat recovery counter.

* Except C8 control system.



Control options



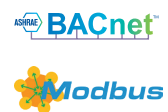
App "Komfovent Control"



Control panel



Web Server



Connectivity & Protocols



"Komfovent Control" app

A new cloud-based application is designed to control residential ventilation units with C6M, C8 control system. A user-friendly interface ensures intuitive control.

As the application fully replicates a control panel functions, you will have access to all monitoring and control possibilities available in the control panel.

The application is available on Google Play, App Store and Huawei AppGallery.





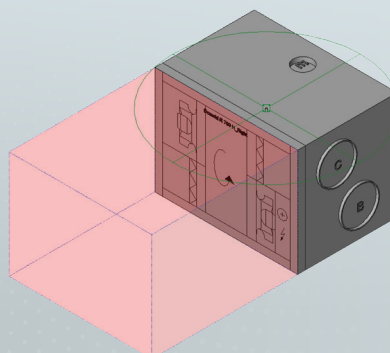
DOMEKT SELECTION SOFTWARE

- For DOMEKT units with a capacity from 50 to 1000 m³/h.
- Parameters are calculated for specific climate and operating conditions.
- Selection of unit's accessories.
- Comparison of the units.
- DOMEKT 3D REVIT models are available in the selection software.



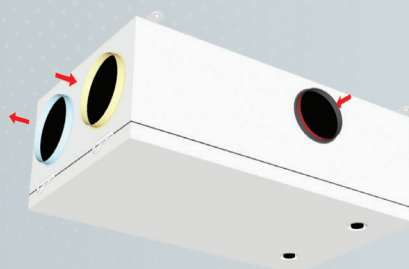
KOMFOVENT DOMEKT + REVIT

Easy unit's integration into building information modeling – 3D REVIT models of DOMEKT units are available in the REVIT add-in KOMFOVENT HUB library.



KOMFOVENT DOMEKT + MAGICAD

3D MagiCAD models of DOMEKT units are available in the MagiCAD Cloud library.



KOMFOVENT UAB

Lentvario str. 146,
25132 Vilnius, Lithuania
info@komfovent.com
www.komfovent.com